



**SPAURA60**

Design by Manuel Vivian

Collection consisting of wall lamps, ceiling lamps and suspended lamps with double-layered coloured Murano glass hand twisted pendants. Available in several colours and sizes. Screw fitting light source.

Typology: SUSPENDED LAMP

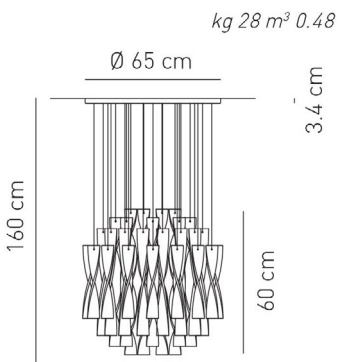
**Ratings**

- E27
- Surface installation over holes
- Supply voltage ~220-240V
- Switch mode: on-off
- Steel canopy

Product code composition

**AURA**

Type	Article	Colours	Finish	Source
SP	AURA 60	CS "rigadin" crystal	CR chrome	E27 1 x Max 35W LED or 1 x Max 60W fluo or 1 x Max 250W halo
		BC white		
		RS red		
SP	AURA 60	CS "rigadin" crystal	OR gold leaf	E27 1 x Max 35W LED or 1 x Max 60W fluo or 1 x Max 250W halo
		BC white		
		RS red		
		TA tea		

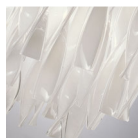


example composition code | SP | AURA60 | RS | OR | E27

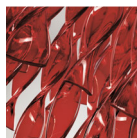
Available colors



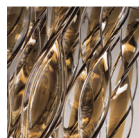
CS  
"Rigadin"  
crystal



BC  
White



RS  
Red



TA  
Tea



OR  
Gold leaf



CR  
Chrome

EELc (Energy Efficiency Label compatibility) contain built in LED lamps that cannot be changed: A, A+, A++

CUSTOMER \_\_\_\_\_ NOTES \_\_\_\_\_

SPAURA60\_\_E27

**NOTICE:**

Luminous flux (lm) and efficacy (lm/W) for all LED luminaires is estimated based on nominal ratings of the LED sources. Technical data could be subject to alteration without notice. Axo Light does not provide legal guarantee for the accuracy of this data sheet.