

OSCA LED ROUND II

astro

GENERAL

| | |
|---------------------------|-------------------|
| LOCATION: | Interior |
| CLASS: | CE (Class I) |
| IP RATING: | IP20 |
| BATHROOM ZONE: | Zone 3 |
| DRIVER REQUIRED: | No |
| INSTALLATION ORIENTATION: | Ceiling Mount |
| MAIN MATERIAL: | Metal - Aluminium |
| DIMENSIONS (mm): | D: 80 Ø: 80 |
| CUT OUT HOLE (mm): | - |
| RECESS DEPTH (mm): | - |
| FIRE RATING: | - |
| CABLE LENGTH (mm): | - |
| GROSS WEIGHT (kg): | 0.38 |

LAMP

| | |
|--------------------------------|----------------|
| LIGHT SOURCE: | AC LED Module |
| WATTAGE: | 7.7W |
| LAMP INCLUDED: | Yes (Integral) |
| MAXIMUM LAMP LENGTH (mm): | - |
| LUMINOUS FLUX (lm): | 528 |
| COLOUR TEMP (K): | 2700 |
| CRI (Ra): | 80 |
| MACADAM ELLIPSE: | 3-Step |
| TILT ADJUSTABLE ANGLE (°): | - |
| ROTATION ADJUSTABLE ANGLE (°): | - |
| LIFETIME (hrs): | 40000 |
| BEAM ANGLE (°): | 33.5 |

ELECTRICAL

| | |
|-----------------------------|---------------------------------|
| SWITCHED: | No |
| DIMMABLE: | Yes |
| DIMMING METHOD: | Phase - Leading & Trailing Edge |
| SUPPLY FREQUENCY (Hz): | 50/60 |
| DRIVER/BALLAST VOLTAGE (V): | 210-250 |
| DRIVER LIFETIME (hrs): | 40000 |
| EFFICACY (lm/W): | 69 |

ADDITIONAL INFORMATION:

| | |
|--------------------------|-------------------------------------------------|
| SHADE INCLUDED: | - |
| SHADE/DIFFUSER MATERIAL: | - |
| SHADE/DIFFUSER FINISH | - |
| F MARK: | Suitable for mounting on flammable materials |



CODE: 1252022
FINISH: MATT WHITE



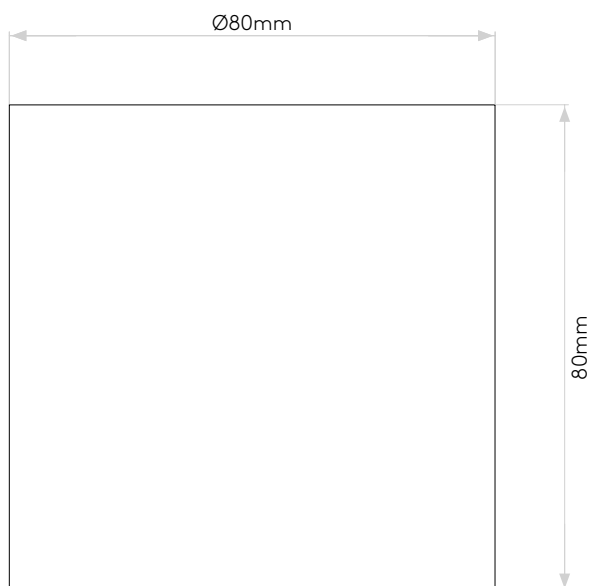
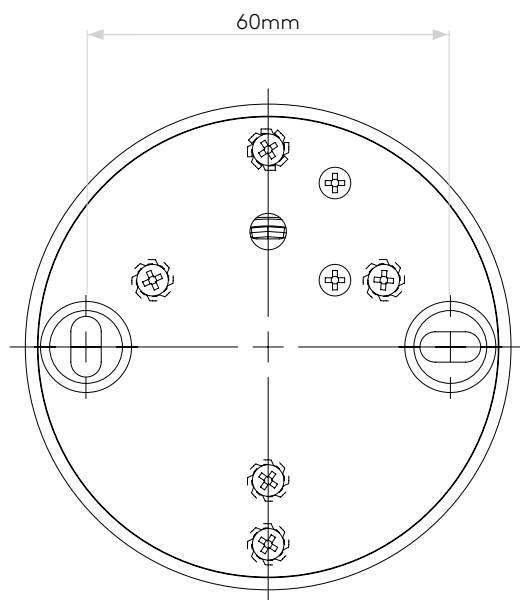
CODE: 1252023
FINISH: MATT BLACK

TO MAINTAIN THIS PRODUCT TO ITS BEST CONDITION, PLEASE VIEW OUR CARE AND CLEANING GUIDE ON THE SUPPORT SECTION OF THE ASTRO WEBSITE.

Pour entretenir au mieux ce produit, veuillez consulter notre guide d'entretien et de nettoyage, dans la rubrique d'aide sur le site Web d'Astro.

Um dieses Produkt im besten Zustand zu erhalten, beachten Sie bitte unseren Leitfaden zu Pflege und Reinigung im Abschnitt „Support“ auf der Astro-Website.

Per mantenere questo prodotto nelle sue migliori condizioni, consultare la nostra guida per la manutenzione e la pulizia nella sezione dedicata all'assistenza del sito Web Astro.



Please note that some dimensions may vary slightly due to manufacturing tolerances, this includes cable entry and fixing holes

Veuillez noter que certaines dimensions peuvent varier légèrement en raison des tolérances de fabrication, y compris l'entrée de câble et les trous de fixation.

Bitte beachten Sie, dass die Maße Fertigungstoleranzen unterliegen und daher in geringem Umfang von der angegebenen Größe abweichen können. Dies gilt auch für Kabeleingänge und Befestigungslöcher.

Si prega notare che possono esserci piccole variazioni in alcune dimensioni dovute alle tolleranze di produzione, queste includono l'ingresso del cavo e i fori di fissaggio.